



SERVICE  
MANUAL

1070



**marantz**

model 1070

*Console Stereo Amplifier*

## TABLE OF CONTENTS

SECTION	PAGE
Introduction .....	1
Pre-Amplifier .....	1
Main Amplifier .....	1
Trouble Analysis .....	2
Power Amplifier Adjustment .....	2
Power Supply Unit .....	2
Test Equipment Required of Servicing .....	2
Performance Verification .....	4
Parts List .....	15
Specifications .....	21
Service Information for European Model .....	22

## LIST OF ILLUSTRATIONS

FIGURE	PAGE
1. AC Power Control Box Simplified Schematic .....	1
2. Amplifier Output Load Box Simplified Schematic .....	2
3. Front Panel Adjustment Component Locations .....	6
4. Main Chassis Component Locations (Top View) .....	6
5. Rear Panel Adjustment and Component Locations .....	7
6. Main Chassis Component Locations (Bottom View) .....	7
7. Phono Amplifier Assembly P400 Component Locations .....	8
8. Main Assembly P700 Component Locations .....	8
9. Power Supply Circuit Assembly P800 Component Locations .....	9
10. Tone and Pre-Amplifier Assembly PE01 Component Locations .....	9
11. Speaker Loudness Assembly PT01 Component Locations .....	10
12. Tone Control Volume Unit Assembly PF01 Component Locations .....	10
13. High and Low Filter Unit Assembly PH01 Component Locations .....	10
14. Exploded Mechanical Diagram .....	11
15. Schematic Diagram .....	13
16. Rear Panel Adjustments and Facilities Locations for European Model .....	23
17. Main Chassis Component Locations (Top View) for European Model .....	23
18. Voltage Conversion Chart .....	24
19. Schematic Diagram for European Model .....	25

## 1. INTRODUCTION

This service manual was prepared for use by Authorized Warranty Stations and contains service information for the Marantz Model 1070 Stereo Console Amplifier.

Servicing information and voltage data included in this manual are intended for use by knowledgeable and experienced personnel only. All instructions should be read carefully. No attempt should be made to proceed without a good understanding of circuitry operation.

The parts list furnishes complete ordering information. Most replacement parts should be ordered from the Marantz Company. However, a simple description is included for parts which can be obtained locally.

## 2. PRE-AMPLIFIER

Signals from the input jacks (TUNER, TAPE-1, TAPE-2 & AUX) are applied to the selector switch.

Signals from the PHONO MIC jacks are applied to the other section of the selector switch, then to the phono-amplifier and equalized for proper frequency response. The gain of the phono-amplifier (H401, H403 and H405) is 40dB.

The outputs of the phono-amplifier are fed to the selector switch. The selector switch selects one of signals from MIC, PHONO, TUNER, AUX, TAPE 1, TAPE 2 jacks and feeds it to the TAPE MONITOR switch and TAPE OUT jacks. The selected signal is then applied to the MODE switch, to the balance and volume controls, and finally to the preamplifier consisting of HE01, HE03, HE05 and HE07.

The frequency response is controlled by the Bass, Middle and Treble controls and the resultant output is passed to the PRE OUT jacks through the High-cut and Low-cut filter networks. These networks are switched in and out of the circuit by the filter switches.

## 3. MAIN AMPLIFIER

The main amplifier consists of differential pre-amplifiers H701 and H703, class "A" driver H707 and direct-coupled drivers H721 and H722.

H709 and H711 act as current limiters.

H726, H727 and H728 form a protector circuit. It protects the speaker from damage due to POWER SWITCH transients or excessively high DC voltage.

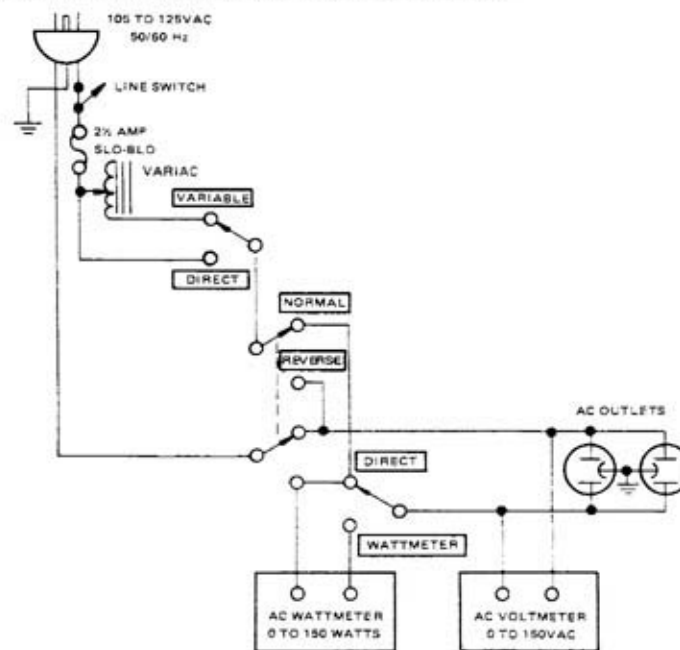


Figure 1. AC Power Control Box Simplified Schematic

**4. TROUBLESHOOTING ANALYSIS**

- |  |   |
|--|---|
| <p>1. Excessive line consumption</p> <p>2. No line consumption or zero bias voltage</p> <p>3. High hum and noise level</p> <p>4. Parasitic oscillation</p> | <p>a. Check for shorted H801, H802, H803.</p> <p>b. Check for shorted transistor H001, through H004.</p> <p>c. Check for open H005, H006, R733, R734.</p> <p>a. Check line cord, fuse, check for shorted H005, H006 R733, R734.</p> <p>b. Check for open rectifiers H801, H802, H803 or open L001.</p> <p>a. Check filter capacitors C001, C002, C803, C804.</p> <p>a. Check C703, C704, C707, C708, C715, C716</p> |
|--|---|

**5. POWER AMPLIFIER ADJUSTMENT**

**1. Adjustment of Idling current**

Connect VTVM between J714 and J716. Adjust R733 until the meter reads 10mV. Similarly, connect VTVM between J715 and J717 and adjust R734 until the meter reads 10mV.

**2. DC-OFFSET adjustment**

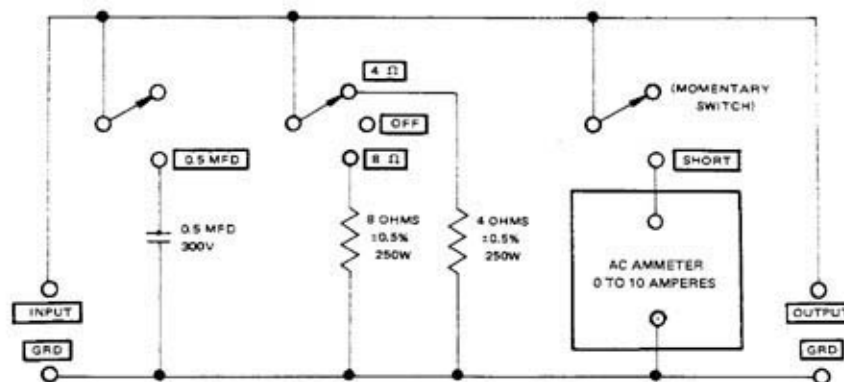
Connect VTVM to J723 and J722 (or ground) and adjust R711 until the meter indication reaches 0mV ( $\pm 5mV$ ). Similarly, connect VTVM to R724 and J722 (or ground) and adjust R712 until the meter indication reaches 0mV ( $\pm 5mV$ ).

**6. POWER SUPPLY ADJUSTMENT**

Connect a voltmeter between J810 and J811. Adjust R807 until meter indicates 40 VDC.

**7. TEST EQUIPMENT REQUIRED FOR SERVICING**

Table 1 lists the test equipment required for servicing the Model 1070 Stereo Console Amplifier. The wattmeter, ac voltmeter, and variable autotransformer may be assembled as a test fixture as shown schematically in Figure 1. The load resistors and ac ammeter may be assembled into a second test fixture as shown in Figure 2.



**Figure 2. Amplifier Output Load Box Simplified Schematic**

Item	Manufacturer and Model No. (or equivalent)	Function
Distortion Analyzer	Hewlett Packard, Model 331A or 333A	Measures distortion and voltage of amplifier output.
Audio Oscillator	Weston Model CVO-100P (NOTE: Less than 0.02 percent residual distortion is required.)	Sinewave and squarewave signal source.
Oscilloscope	Tektronix, Model 503; Data, Model 555	Waveform analysis and troubleshooting.
VTVM	RCA Senior Volt-Ohmyst, Model WV-98C	Voltage and resistance measurements.
AC Wattmeter	Simpson, Model 390	Monitors primary power consumption of amplifier.
AC Ammeter (0 to 10 amps)	Commercial Grade	Monitors amplifier output under short circuit condition.
Line Voltmeter (0 to 150 vac)	Commercial Grade	Monitors potential of primary power to amplifier.
Variable Autotransformer (0 to 140 vac, 10 amps)	Powerstat, Model 116B	Adjusts level of primary power to amplifier.
Shorting Plug	Use phono plug with 600 ohms across center pin and shell.	Shorts amplifier input to eliminate noise pickup.
Power Supply Bleeder Resistor (10 ohms at 1W)	Commercial Grade	Discharges power supply filter capacitors prior to disassembly or resistance measurements.
Output Load Resistor (8 $\pm$ 0.5%, 250W)	Commercial Grade	Provides 8-ohm load for amplifier output termination.
Output Load Resistor (4 $\pm$ 5%, 250W)	Commercial Grade	Provides 4-ohm load for amplifier output termination.
Output Load Capacitor (0.5 mfd)	Mylar	Provides capacitive load for instability checks.
AC Power Control Box	Optional Item. Fabricate in accordance with Figure 1.	Monitors and controls primary power for amplifier.
Amplifier Output Load Box	Optional Item. Fabricate in accordance with Figure 2.	Provides various amplifier loads and can monitor shorted output.

## 8. PERFORMANCE VERIFICATION

### Test Procedure

#### A. Test Equipment

Refer to Table 1 for required test equipment.

#### B. Preliminary Procedures

1. Make the test setup shown in Figure 1 with the instrument controls set in the following positions:

Line Switch	OFF
Variable-line switch variable	
Wattmeter Switch	ON
Variable Autotransformer	0V (fully CCW)
Load	8 ohms (0.5 mfd – OFF)
Audio Generator	
Frequency	1 KHz
Output	5V range
Gain	Minimum
AC VTVM	30V range

2. Make sure that connections between the resistive load and the system terminals of the Model 1070 have negligible resistance when compared with the resistance of the load itself. Appreciable resistance in wiring adds to the total load, resulting in inaccurate measurements of output power.
3. Connect amplifier output to load and connect AC cord to line power. Connect shorting plugs to the Phono input jacks of the model 1070.

#### C. Total Hum and Noise Test

1. With shorting plugs connected to the Phono input jacks and an 8 ohm resistive load connected across the speaker system output terminals, connect a distortion analyzer across the load.

NOTE: If the distortion analyzer does not contain a built-in voltmeter, an AC VTVM may be substituted.

2. Set the distortion analyzer controls for voltage measurements and apply power to the amplifier. Set the volume control fully CCW. Set the SELECTOR switch to PHONO.
3. If the distortion analyzer indicates more than 2.0 mV refer to the trouble analysis section of this manual.
4. Set the volume control fully CW. If the distortion analyzer indicates more than 20 mV refer to the trouble analysis section of this manual.

#### D. Maximum Power Output

1. Connect the audio oscillator to the AUX input. Set audio oscillator frequency to 1 KHz. Set SELECTOR switch to AUX.
2. With the distortion analyzer connected across the output load (8-ohm), set the analyzer on the 30 VAC scale.
3. Turn the analyzer on and increase the audio oscillator output to 180 mV. The AC VTVM should read 16.8 VAC or more.

#### E. Harmonic Distortion Test

1. Set the frequency of the audio oscillator and the distortion analyzer to 20 KHz.
2. Set the controls of the analyzer for voltage measurement on the 30 volt scale.
3. Adjust the audio oscillator output level until the analyzer meter indicates 16.8 VAC.
4. Switch the distortion analyzer to Set Level and adjust SENSITIVITY for full scale reading on 0–1% scale.
5. Measure the total harmonic distortion with the analyzer and verify it is less than 0.3%.  
NOTE: Any parasitic oscillation in the amplifier will be displayed on the oscilloscope when capacitance is switched into the load.

6. Switch the distortion analyzer back to SET LEVEL. (Do not readjust sensitivity of analyzer.)
7. Change the frequency of the audio oscillator and distortion analyzer to 1 KHz. Adjust audio oscillator output for a full scale reading on the 0–1% scale.
8. Measure the distortion, verifying it is no greater than 0.3%.
9. Repeat steps 7 and 8, changing frequency to 20 Hz. Distortion should be no more than 0.3%.
10. Check for parasitic oscillation; there should be none.

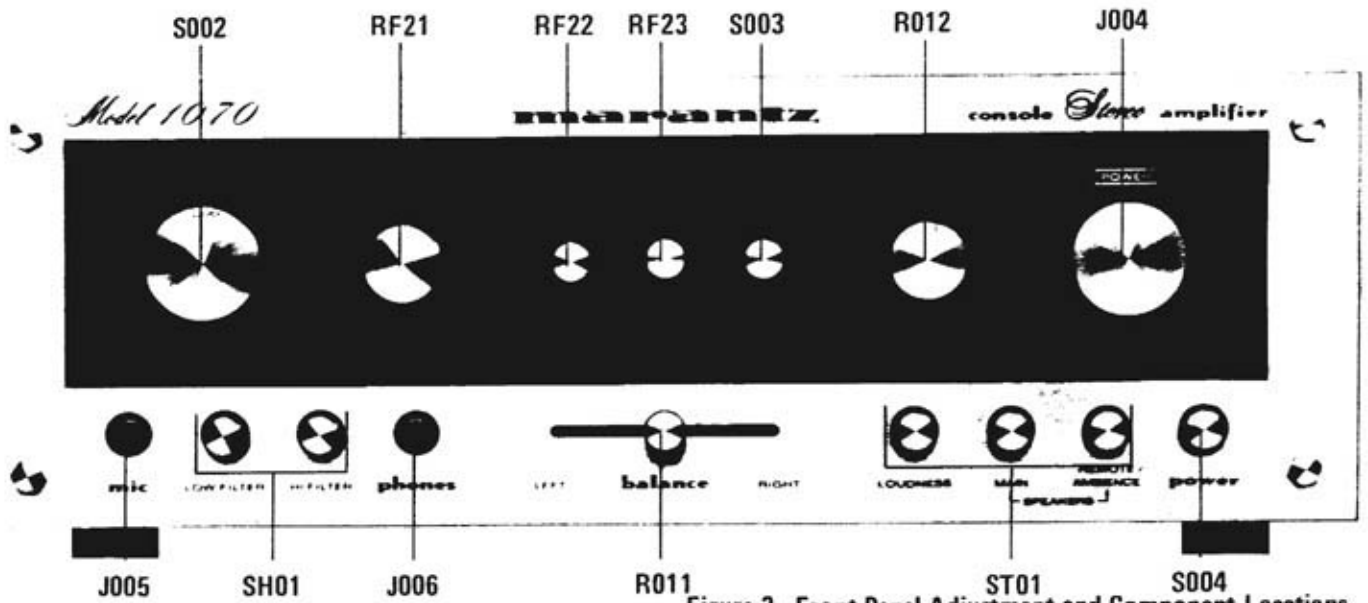


Figure 3. Front Panel Adjustment and Component Locations

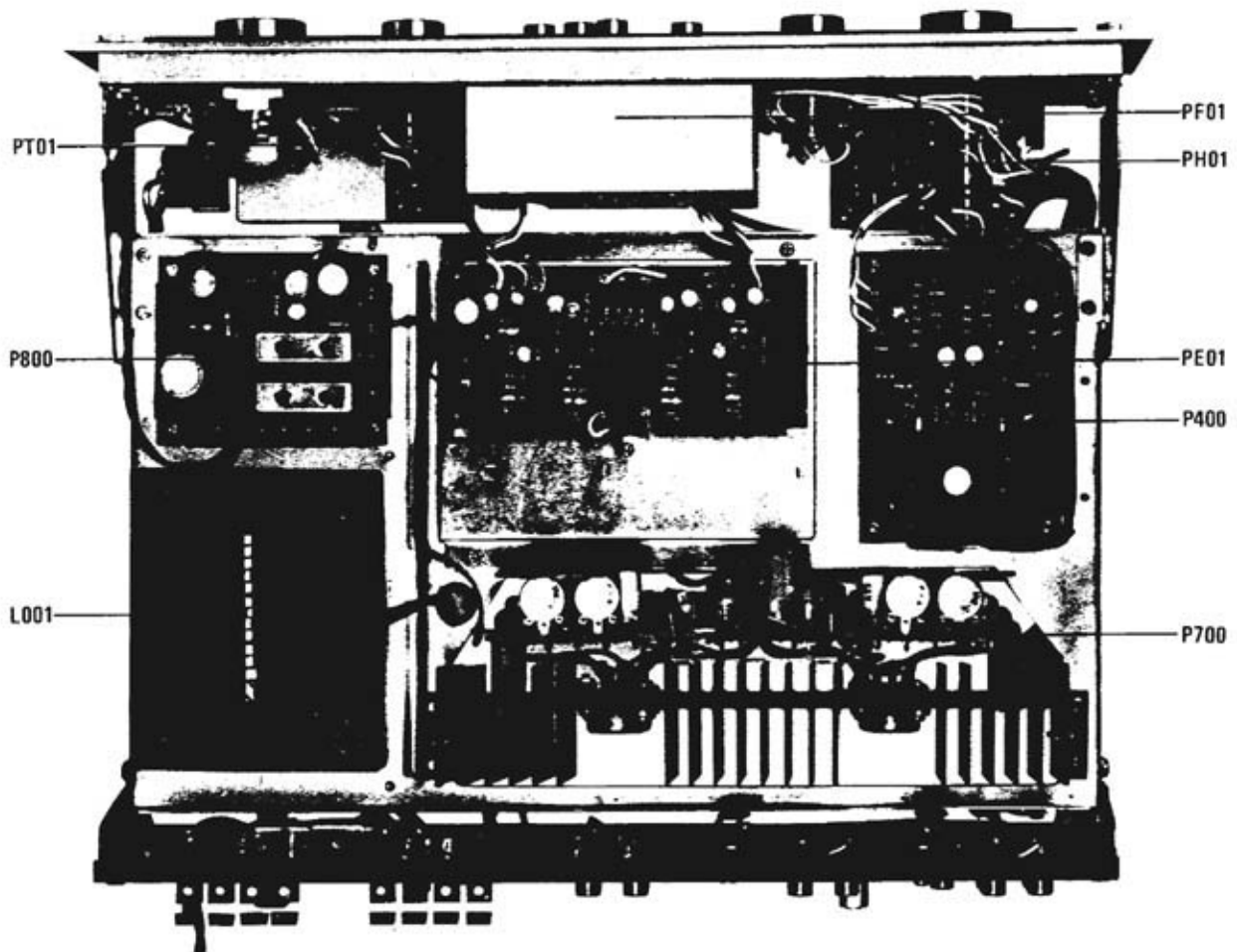


Figure 4. Main Chassis Component Locations (Top View)



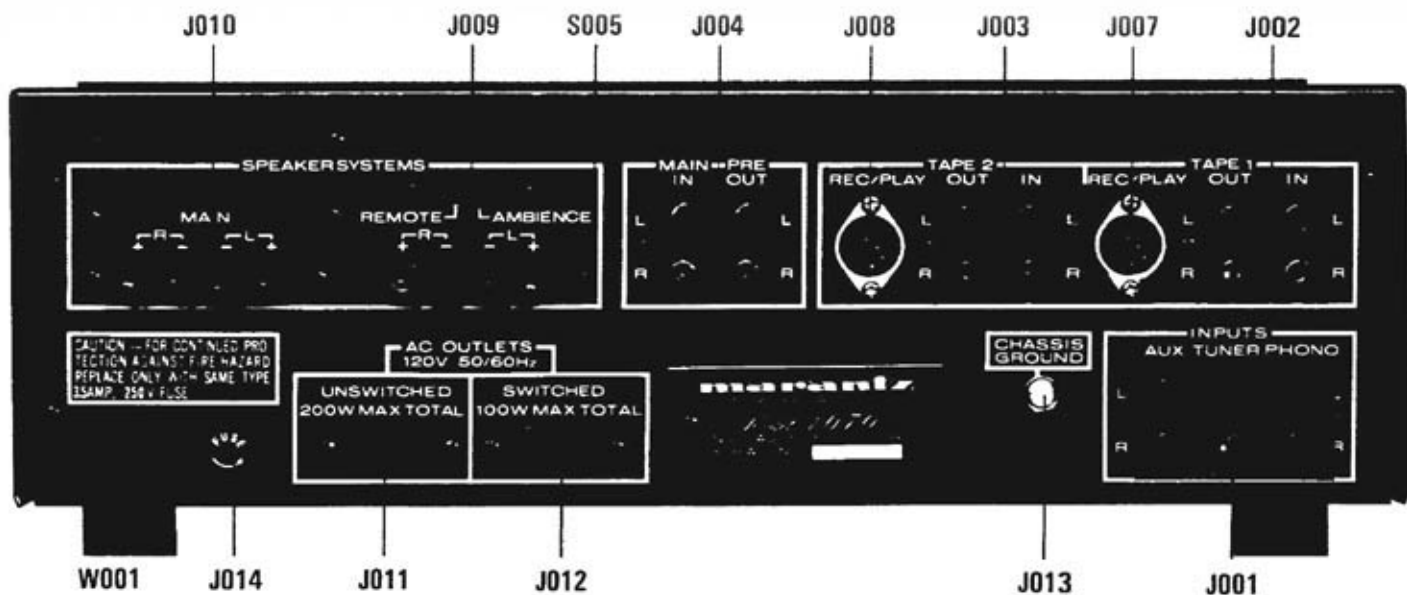


Figure 5. Rear Panel Adjustment and Component Locations

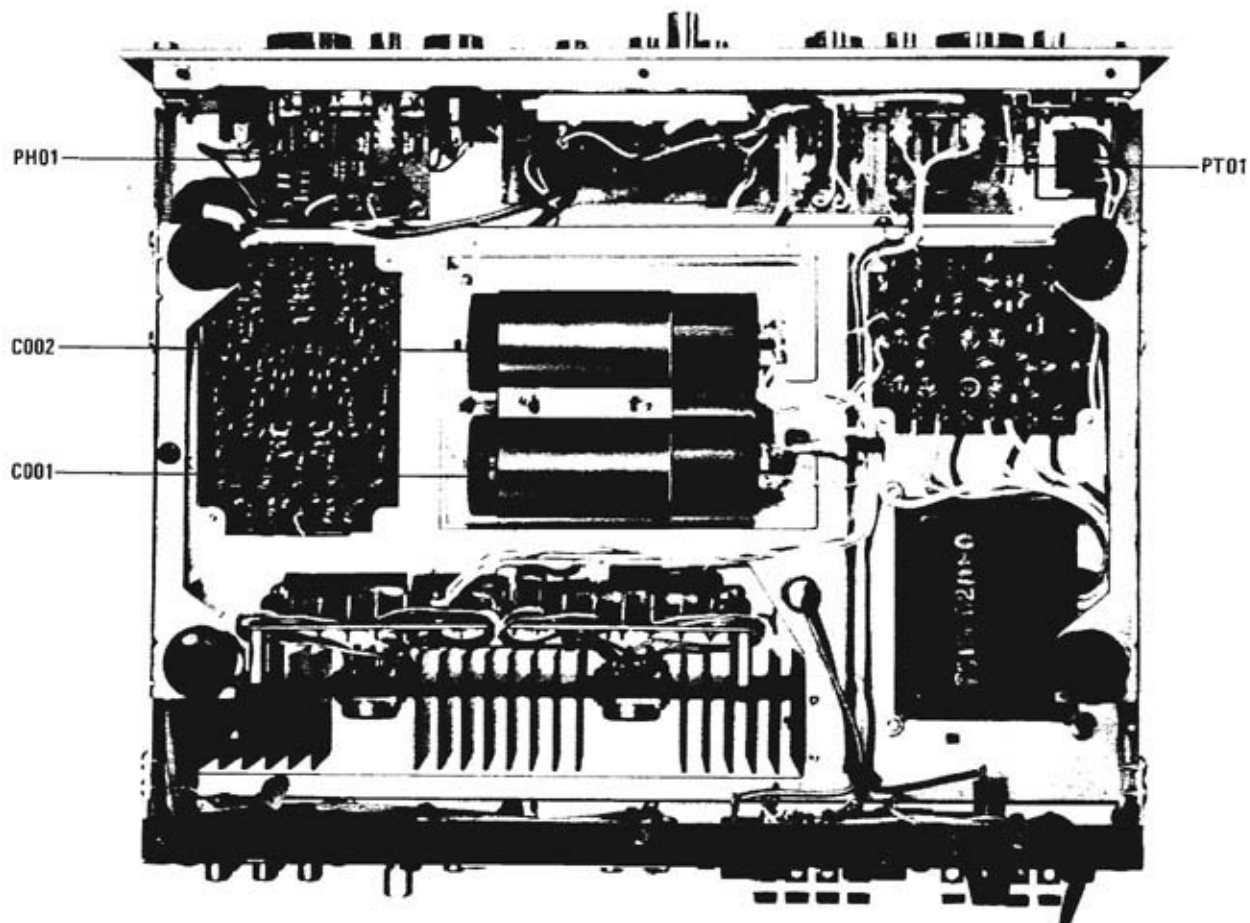


Figure 6. Main Chassis Component Locations (Bottom View)



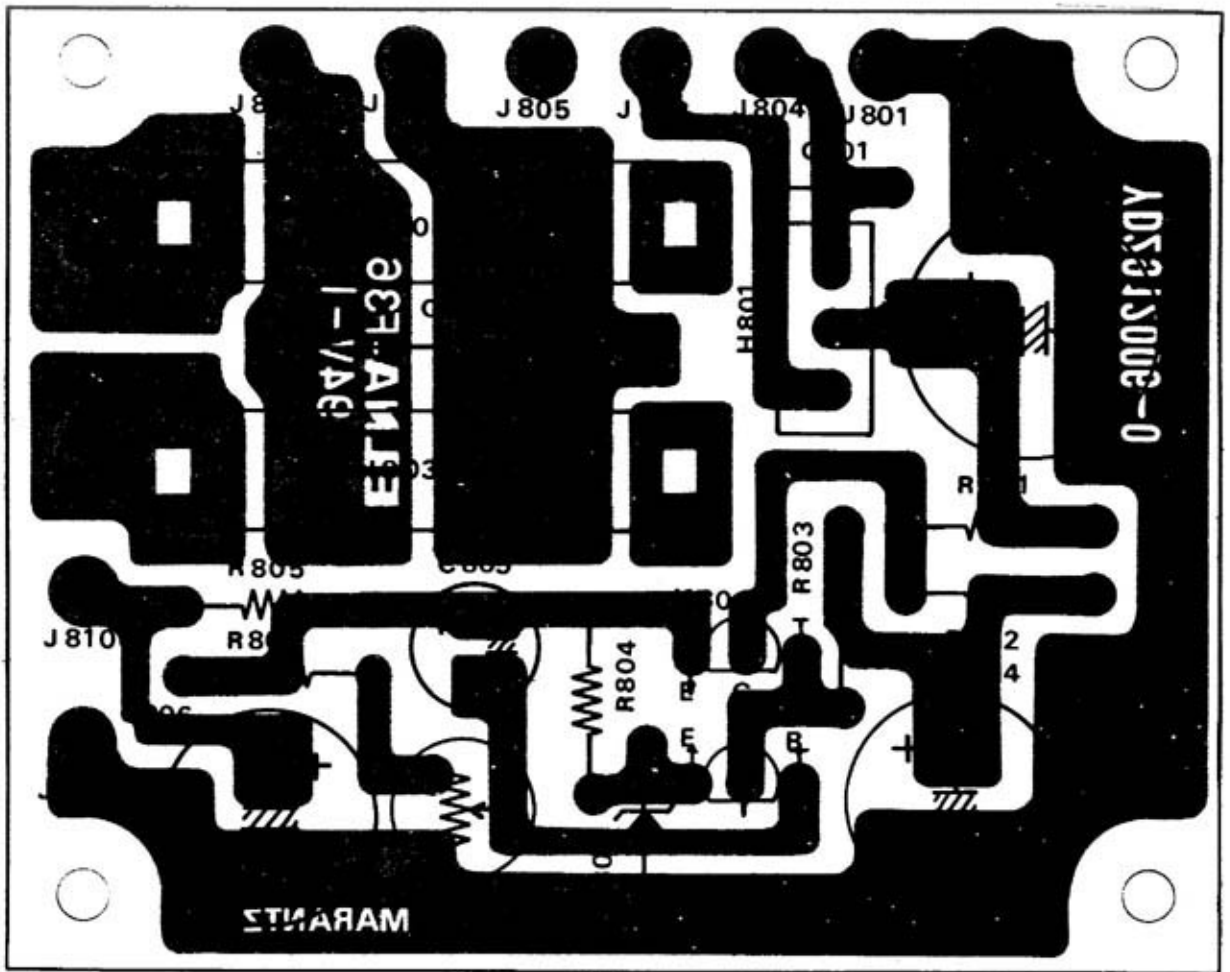


Figure 9. Power Supply Circuit Assembly P800 Component Locations

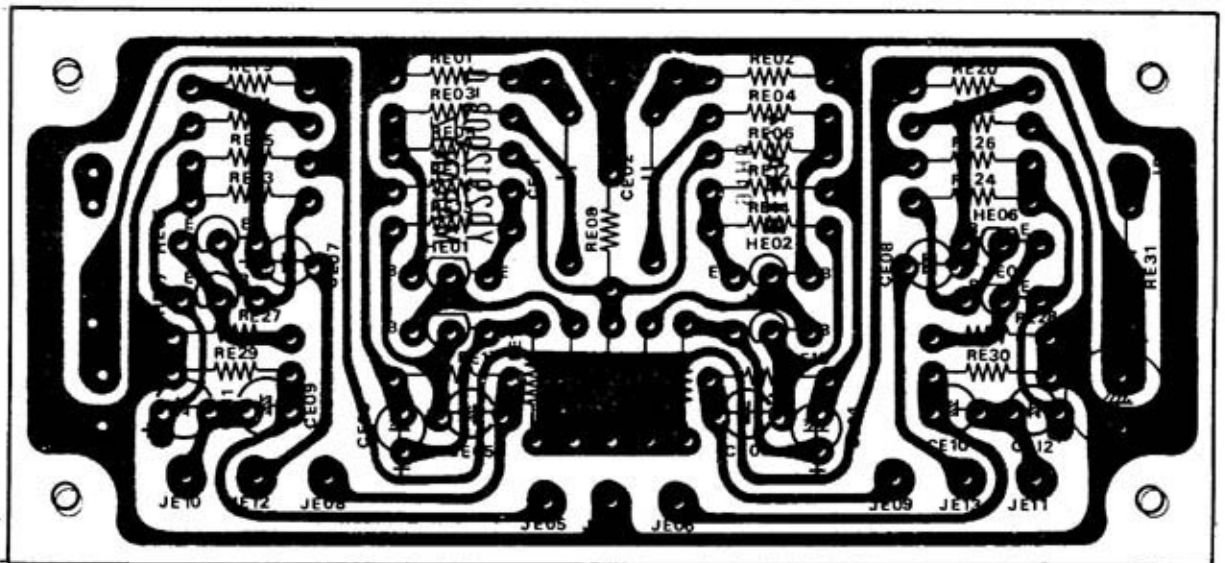


Figure 10. Tone and Pre-Amplifier Assembly PE01 Component Locations

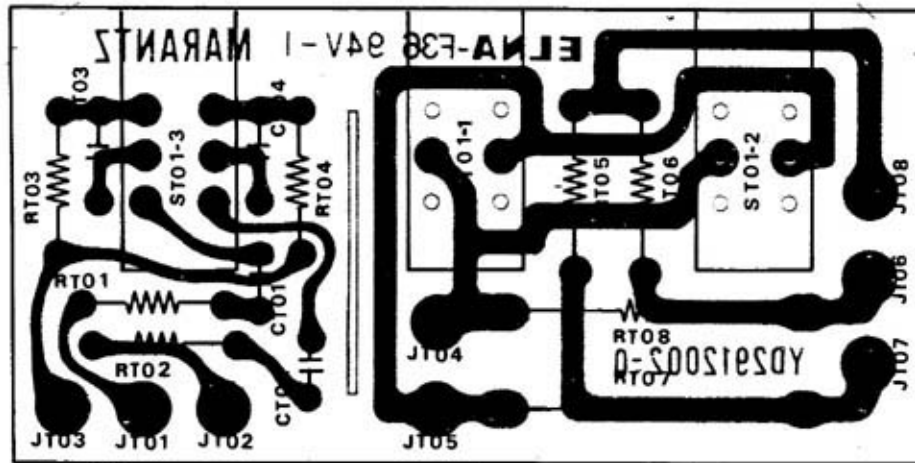


Figure 11. Speaker Loudness Assembly PT01 Component Locations

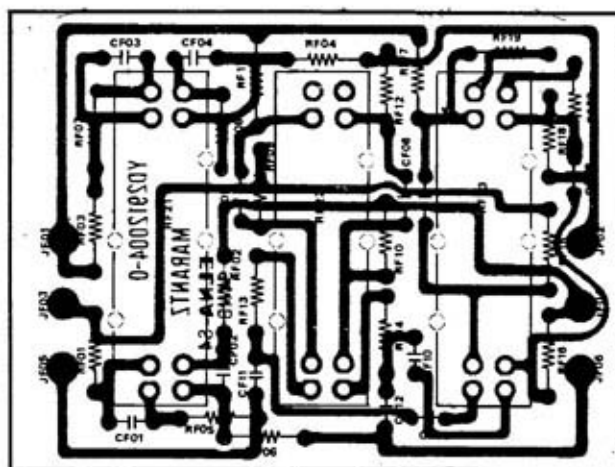


Figure 12. Tone Control Volume Unit PF01 component Locations

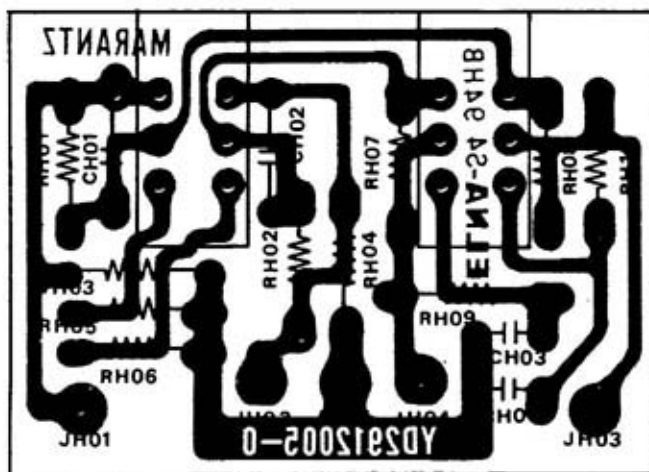
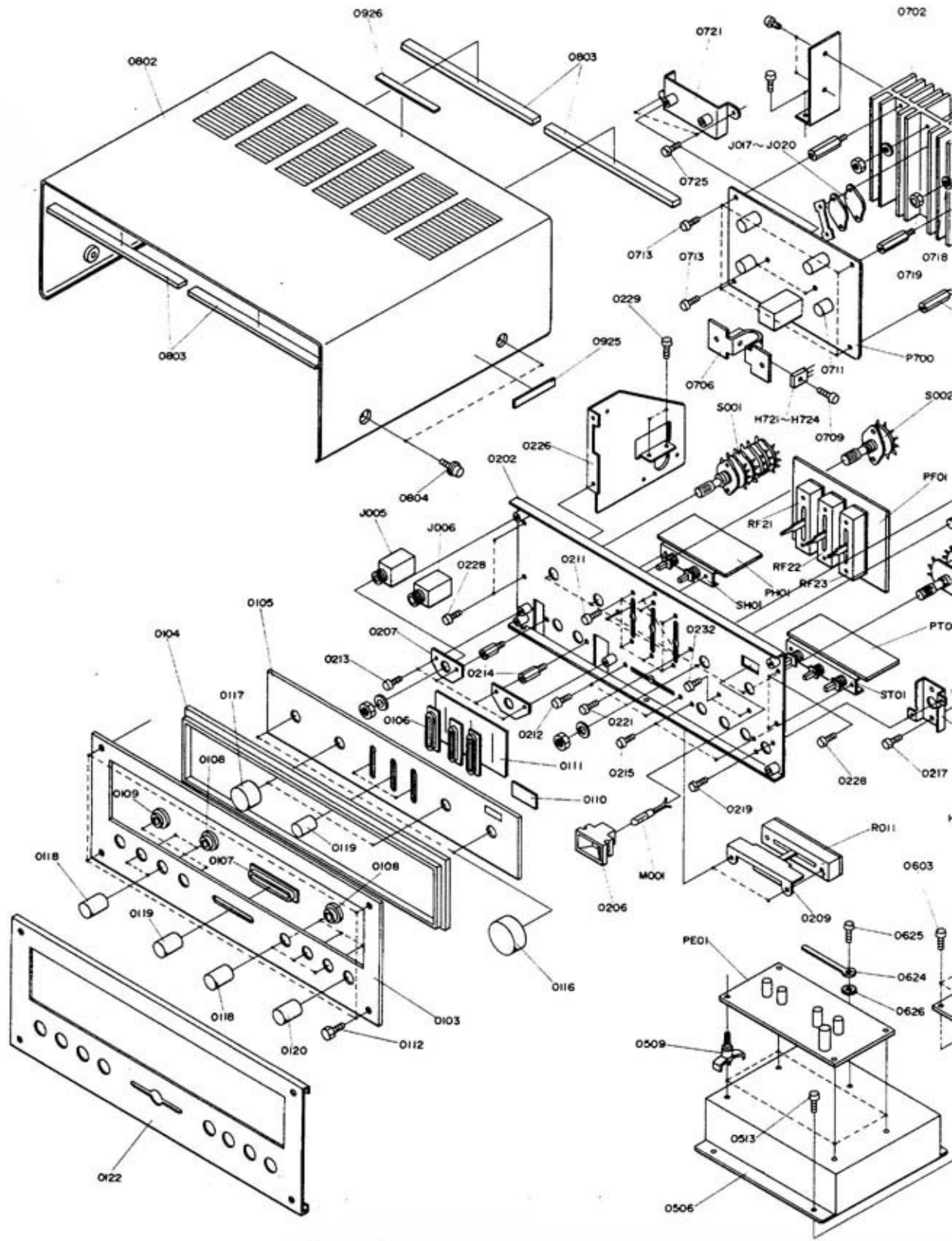


Figure 13. High and Low Filter Unit Assembly PH01 Component Locations





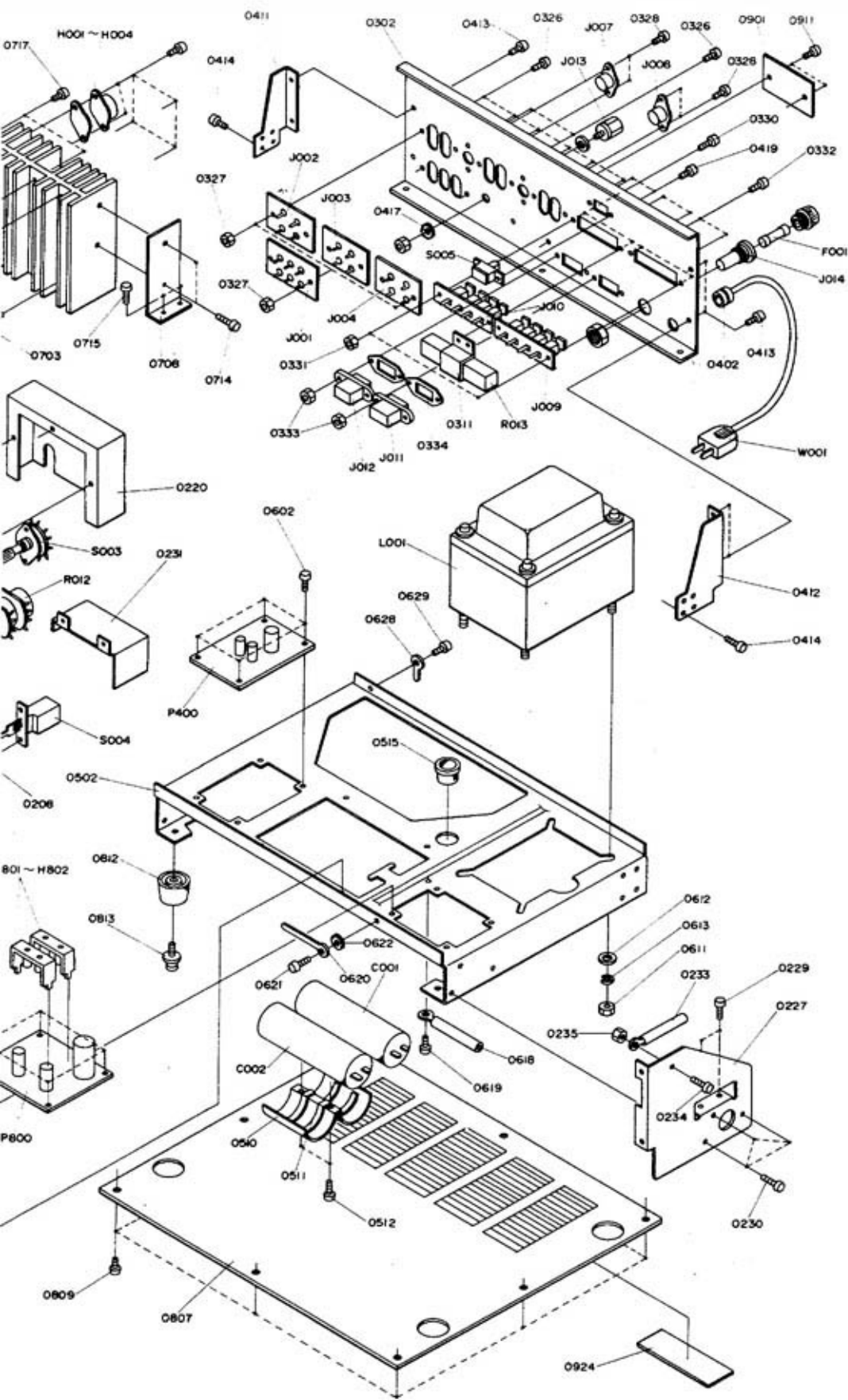
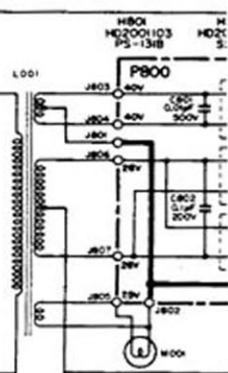
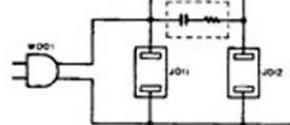
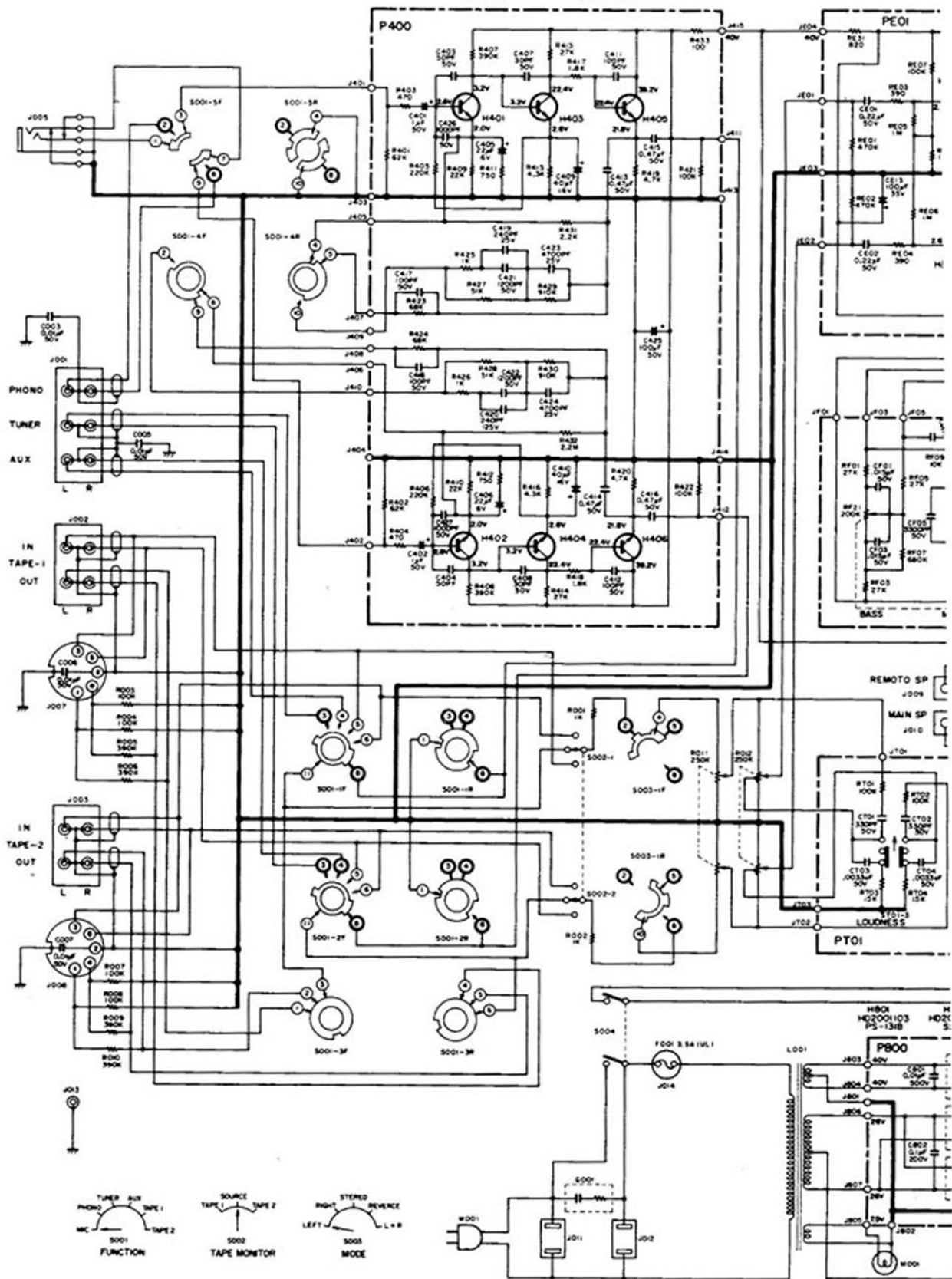


Figure 14. Exploded Mechanical Diagram

H401-402  
HT 31327 T  
25C1327 T

H403-406  
HT 31328 T  
25C1328 S T



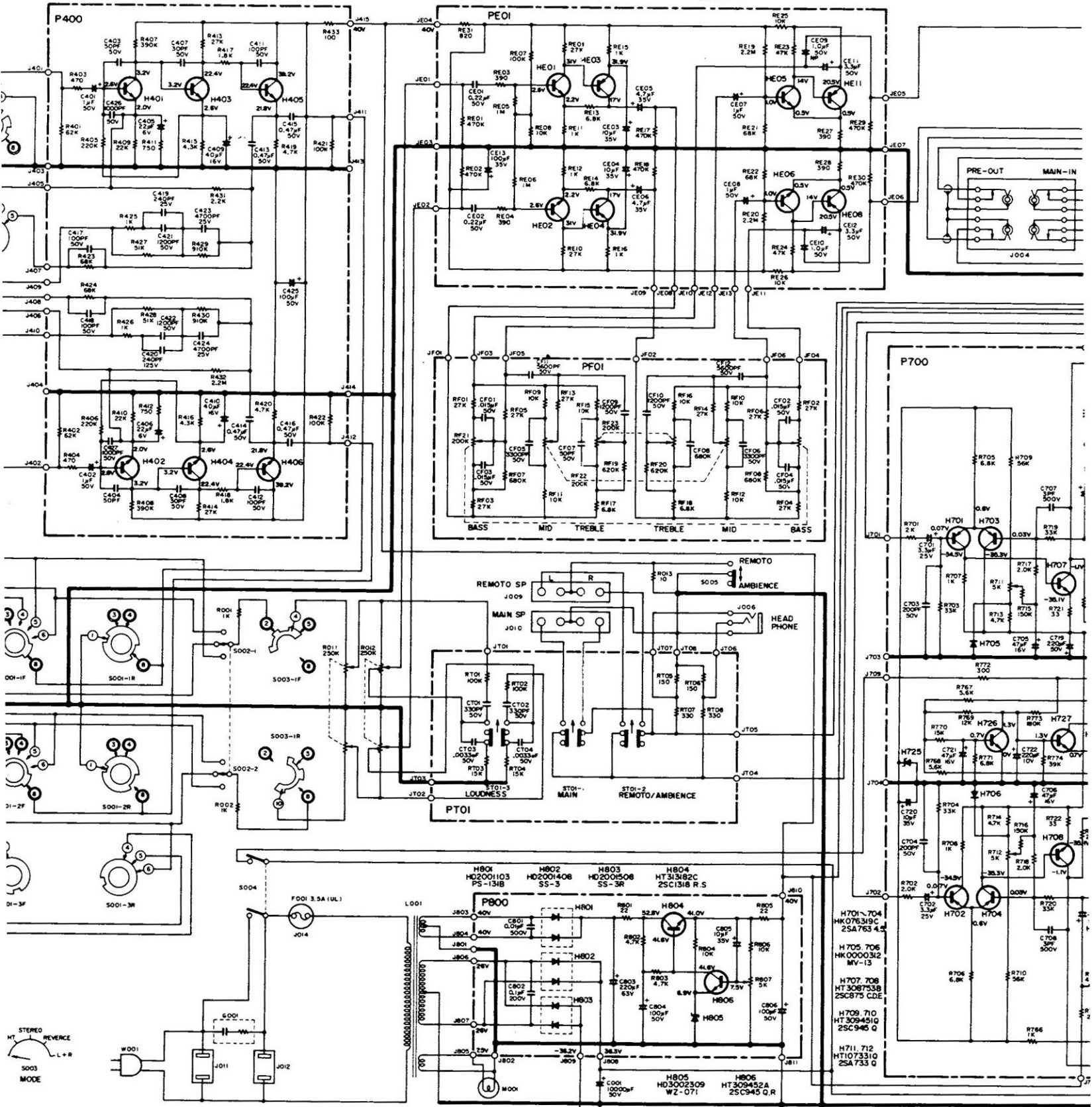


H401-402  
HT 31327 T  
25C1327 T

H403-406  
HT 31328 T  
25C1328 S T

HE01, 02, HE05, 06  
HT 31328 A  
25C1328 S.T.U

HE03, 04, HE07, 08  
HT107632A  
25A763 4 5



H713-720  
H0200211  
152472(Gr)

H721-722  
H079419B  
25C1567 Q.R

H723-724  
H079419B  
SA794 Q.R

H725  
H030030S  
WZ-177

HE01.02, HE05.06  
HT31283 A  
25C1328 S.T.U

HE03.04, HE07.08  
HT107632A  
25A763 4.5

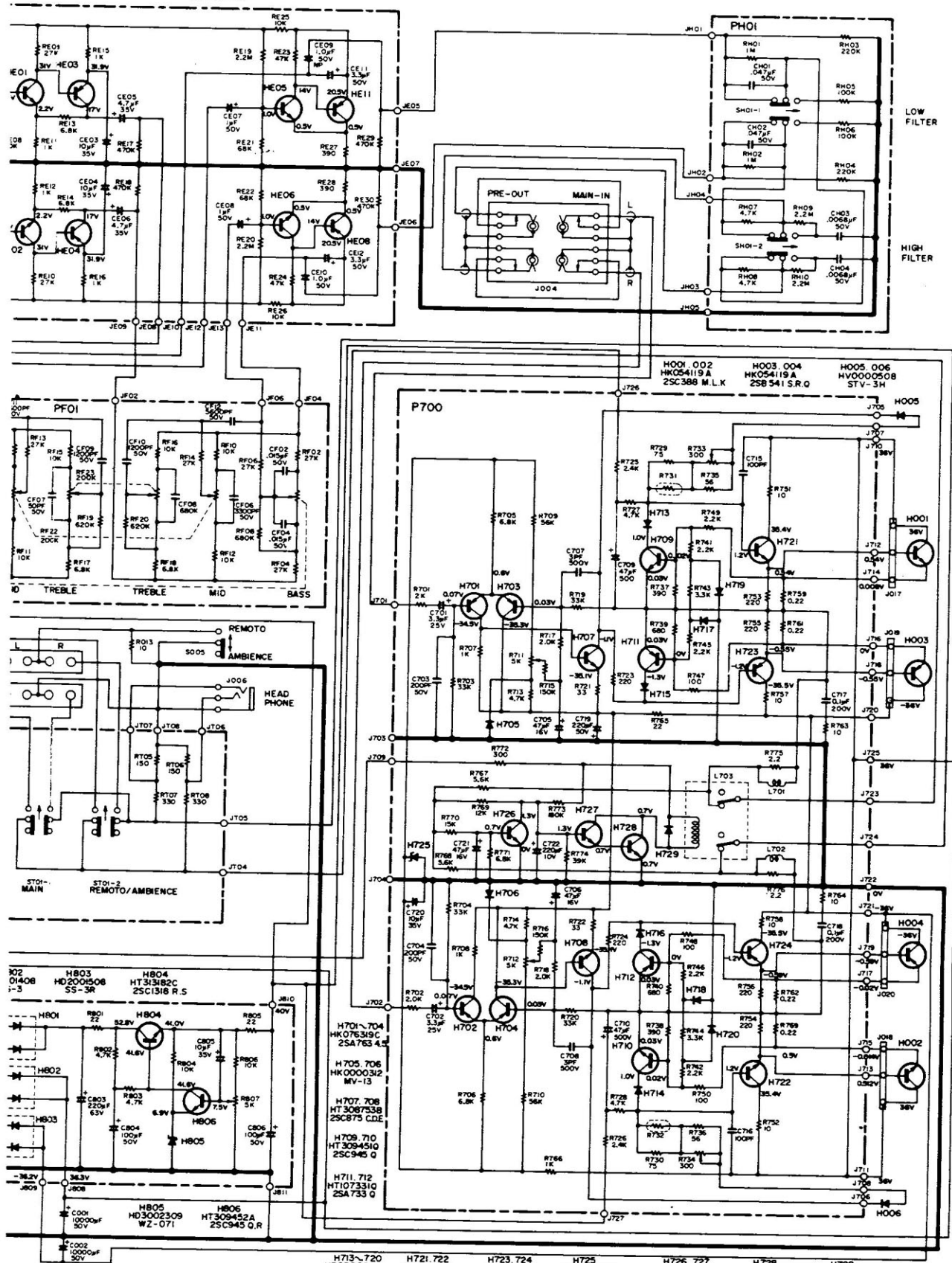


Figure 15. Schematic Diagram

## PARTS LIST

U: For U.S.A.  
E: For Europe

REF. DESIG.	U	E	PART NO.	DESCRIPTION
A	1	1	291206340	Front Panel Assembly, Complete
0103	1	1	291206301	Escutcheon, Front Panel
0104	1	1	291240101	Frame, Plastic
0105	1	1	291206302	Escutcheon, Plastic Plate
0106	3	3	285025901	Bush, Slider Guide
0107	3	3	285425901	Bush, Slider Guide
0108	6	6	288625901	Bush, Pushbutton Guide
0109	2	2	273125901	Bush, Pushbutton Guide
0110	1	1	291205303	Cover, Indicator Light
0111	1	1	292630301	Mask
0122	1	1	291205301	Cover, Front Panel Protector
				<b>P400 PHONO AMP. BOARD</b>
P400	1	1	YD2912001	P. W. Board PHONO AMP.
	1	1	ZZ2912001	P.W. Board Assembly
R401	1	1	RT0562314	Resistor 62K $\Omega$ $\pm$ 5% $\frac{1}{4}$ W
R402	1	1	RT0562314	Resistor 62K $\Omega$ $\pm$ 5% $\frac{1}{4}$ W
R403	1	1	RT0550114	Resistor 500 $\Omega$ $\pm$ 5% $\frac{1}{4}$ W
R404	1	1	RT0550114	Resistor 500 $\Omega$ $\pm$ 5% $\frac{1}{4}$ W
R405	1	1	RN0522414	Resistor 220K $\Omega$ $\pm$ 5% $\frac{1}{4}$ W
R406	1	1	RN0522414	Resistor 220K $\Omega$ $\pm$ 5% $\frac{1}{4}$ W
R407	1	1	RN0539414	Resistor 390K $\Omega$ $\pm$ 5% $\frac{1}{4}$ W
R408	1	1	RN0539414	Resistor 390K $\Omega$ $\pm$ 5% $\frac{1}{4}$ W
R409	1	1	RT0522314	Resistor 22K $\Omega$ $\pm$ 5% $\frac{1}{4}$ W
R410	1	1	RT0522314	Resistor 22K $\Omega$ $\pm$ 5% $\frac{1}{4}$ W
R411	1	1	RT0575114	Resistor 750 $\Omega$ $\pm$ 5% $\frac{1}{4}$ W
R412	1	1	RT0575114	Resistor 750 $\Omega$ $\pm$ 5% $\frac{1}{4}$ W
R413	1	1	RT0527314	Resistor 27K $\Omega$ $\pm$ 5% $\frac{1}{4}$ W
R414	1	1	RT0527314	Resistor 27K $\Omega$ $\pm$ 5% $\frac{1}{4}$ W
R415	1	1	RT0543214	Resistor 4.3K $\Omega$ $\pm$ 5% $\frac{1}{4}$ W
R416	1	1	RT0543214	Resistor 4.3K $\Omega$ $\pm$ 5% $\frac{1}{4}$ W
R417	1	1	RT0518214	Resistor 1.8K $\Omega$ $\pm$ 5% $\frac{1}{4}$ W
R418	1	1	RT0518214	Resistor 1.8K $\Omega$ $\pm$ 5% $\frac{1}{4}$ W
R419	1	1	RT0547214	Resistor 4.7K $\Omega$ $\pm$ 5% $\frac{1}{4}$ W
R420	1	1	RT0547214	Resistor 4.7K $\Omega$ $\pm$ 5% $\frac{1}{4}$ W
R421	1	1	RT0510414	Resistor 100K $\Omega$ $\pm$ 5% $\frac{1}{4}$ W
R422	1	1	RT0510414	Resistor 100K $\Omega$ $\pm$ 5% $\frac{1}{4}$ W
R423	1	1	RT0568314	Resistor 68K $\Omega$ $\pm$ 5% $\frac{1}{4}$ W
R424	1	1	RT0568314	Resistor 68K $\Omega$ $\pm$ 5% $\frac{1}{4}$ W
R425	1	1	RT0510214	Resistor 1K $\Omega$ $\pm$ 5% $\frac{1}{4}$ W
R426	1	1	RT0510214	Resistor 1K $\Omega$ $\pm$ 5% $\frac{1}{4}$ W
R427	1	1	RT0551314	Resistor 51K $\Omega$ $\pm$ 5% $\frac{1}{4}$ W
R428	1	1	RT0551314	Resistor 51K $\Omega$ $\pm$ 5% $\frac{1}{4}$ W
R429	1	1	RT0591414	Resistor 910K $\Omega$ $\pm$ 5% $\frac{1}{4}$ W
R430	1	1	RT0591414	Resistor 910K $\Omega$ $\pm$ 5% $\frac{1}{4}$ W
R431	1	1	RT0522514	Resistor 2.2M $\Omega$ $\pm$ 5% $\frac{1}{4}$ W
R432	1	1	RT0522514	Resistor 2.2M $\Omega$ $\pm$ 5% $\frac{1}{4}$ W
R433	1	1	RT0510114	Resistor 100 $\Omega$ $\pm$ 5% $\frac{1}{4}$ W
C401	1	1	EE1050501	Electroly Cap 1 $\mu$ F 50V $\pm$ 20%
C402	1	1	EE1050501	Electroly Cap 1 $\mu$ F 50V $\pm$ 20%
C403	1	1	DD1650001	Ceramic Cap 50PF 50V $\pm$ 10%
C404	1	1	DD1650001	Ceramic Cap 50PF 50V $\pm$ 10%
C405	1	1	EV2260066	Electroly Cap 22 $\mu$ F 6V
C406	1	1	EV2260066	Electroly Cap 22 $\mu$ F 6V
C407	1	1	DD1630001	Ceramic Cap 30PF 50V $\pm$ 10%
C408	1	1	DD1630001	Ceramic Cap 30PF 50V $\pm$ 10%
C409	1	1	EA4760169	Electroly Cap 47 $\mu$ F 16V $\pm$ 10%
C410	1	1	EA4760169	Electroly Cap 47 $\mu$ F 16V $\pm$ 10%
C411	1	1	DD1610101	Ceramic Cap 100PF 50V $\pm$ 10%
C412	1	1	DD1610101	Ceramic Cap 100PF 50V $\pm$ 10%
C413	1	1	DF1747405	Film Cap 0.47 $\mu$ F 50V $\pm$ 20%
C414	1	1	DF1747405	Film Cap 0.47 $\mu$ F 50V $\pm$ 20%

REF. DESIG.	U	E	PART NO.	DESCRIPTION
C415	1	1	DF1747405	Film Cap 0.47 $\mu$ F 50V $\pm$ 20%
C416	1	1	DF1747405	Film Cap 0.47 $\mu$ F 50V $\pm$ 20%
C417	1	1	DD1610101	Ceramic Cap 100PF 50V $\pm$ 10%
C418	1	1	DD1610101	Ceramic Cap 100PF 50V $\pm$ 10%
C419	1	1	DF6524150	Film Cap 240PF 125V $\pm$ 5%
C420	1	1	DF6524150	Film Cap 240PF 125V $\pm$ 5%
C421	1	1	DF5412201	Film Cap 1200PF 50V $\pm$ 2%
C422	1	1	DF5412201	Film Cap 1200PF 50V $\pm$ 2%
C423	1	1	DF5547201	Film Cap 4700PF 25V $\pm$ 5%
C424	1	1	DF5547201	Film Cap 4700PF 25V $\pm$ 5%
C425	1	1	EA1070509	Electroly Cap 100 $\mu$ F 50V $\pm$ 10%
C426	1	1	DD1620101	Ceramic Cap 200PF 50V $\pm$ 10%
C427	1	1	DD1620101	Ceramic Cap 200PF 50V $\pm$ 10%
H401	1	1	HT313271T	Transistor 2SC1327 (T)
H402	1	1	HT313271T	Transistor 2SC1327 (T)
H403	1	1	HT313282A	Transistor 2SC1328 (S.T)
H404	1	1	HT313282A	Transistor 2SC1328 (S.T)
H405	1	1	HT313282A	Transistor 2SC1328 (S.T)
H406	1	1	HT313282A	Transistor 2SC1328 (S.T)
J401	~			
J415	15	15	YP1000113	Plug
0713	6	6	51100305S	B H M Screw B 3 x 5
0717	2	2	51440314A	P H M Screw P 3 x 14 W/S
0718	2	2	54020301A	Flat Washer
0719	2	2	53110303A	Hexagon Nut
				<b>P700 MAIN BOARD</b>
P700	1	1	YD2912007	P W Board MAIN AMP.
	1	1	ZZ2912007	P W B Assembly
R701	1	1	RT0520214	Resistor 20K $\Omega$ $\pm$ 5% $\frac{1}{4}$ W
R702	1	1	RT0520214	Resistor 20K $\Omega$ $\pm$ 5% $\frac{1}{4}$ W
R703	1	1	RT0533314	Resistor 33K $\Omega$ $\pm$ 5% $\frac{1}{4}$ W
R704	1	1	RT0533314	Resistor 33K $\Omega$ $\pm$ 5% $\frac{1}{4}$ W
R705	1	1	RT0568214	Resistor 6.8K $\Omega$ $\pm$ 5% $\frac{1}{4}$ W
R706	1	1	RT0568214	Resistor 6.8K $\Omega$ $\pm$ 5% $\frac{1}{4}$ W
R707	1	1	RT0510214	Resistor 1K $\Omega$ $\pm$ 5% $\frac{1}{4}$ W
R708	1	1	RT0510214	Resistor 1K $\Omega$ $\pm$ 5% $\frac{1}{4}$ W
R709	1	1	RT0556314	Resistor 56K $\Omega$ $\pm$ 5% $\frac{1}{4}$ W
R710	1	1	RT0556314	Resistor 56K $\Omega$ $\pm$ 5% $\frac{1}{4}$ W
R711	1	1	RA0502017	Trimming Resist 5K $\Omega$ (B)
R712	1	1	RA0502017	Trimming Resist 5K $\Omega$ (B)
R713	1	1	RT0547214	Resistor 47K $\Omega$ $\pm$ 5% $\frac{1}{4}$ W
R714	1	1	RT0547214	Resistor 47K $\Omega$ $\pm$ 5% $\frac{1}{4}$ W
R715	1	1	RT0515414	Resistor 150K $\Omega$ $\pm$ 5% $\frac{1}{4}$ W
R716	1	1	RT0515414	Resistor 150K $\Omega$ $\pm$ 5% $\frac{1}{4}$ W
R717	1	1	RT0520214	Resistor 2.0K $\Omega$ $\pm$ 5% $\frac{1}{4}$ W
R718	1	1	RT0520214	Resistor 2.0K $\Omega$ $\pm$ 5% $\frac{1}{4}$ W
R719	1	1	RT0533314	Resistor 33K $\Omega$ $\pm$ 5% $\frac{1}{4}$ W
R720	1	1	RT0533314	Resistor 33K $\Omega$ $\pm$ 5% $\frac{1}{4}$ W
R721	1	1	GF0533014	Resistor 33 $\Omega$ $\pm$ 5% $\frac{1}{4}$ W
R722	1	1	GF0533014	Resistor 33 $\Omega$ $\pm$ 5% $\frac{1}{4}$ W
R723	1	1	GF0522114	Resistor 220 $\Omega$ $\pm$ 5% $\frac{1}{4}$ W
R724	1	1	GF0522114	Resistor 220 $\Omega$ $\pm$ 5% $\frac{1}{4}$ W
R725	1	1	RT0518214	Resistor 1.8K $\Omega$ $\pm$ 5% $\frac{1}{4}$ W
R726	1	1	RT0518214	Resistor 1.8K $\Omega$ $\pm$ 5% $\frac{1}{4}$ W
R727	1	1	RT0547214	Resistor 4.7K $\Omega$ $\pm$ 5% $\frac{1}{4}$ W
R728	1	1	RT0547214	Resistor 4.7K $\Omega$ $\pm$ 5% $\frac{1}{4}$ W
R729	1	1	RT0575014	Resistor 75 $\Omega$ $\pm$ 5% $\frac{1}{4}$ W
R730	1	1	RT0575014	Resistor 75 $\Omega$ $\pm$ 5% $\frac{1}{4}$ W

REF. DESIG.	U	E	PART NO.	DESCRIPTION
R731	1	1	HH0000303	Thermistor STD - 04
R732	1	1	HH0000303	Thermistor STD - 04
R733	1	1	RA0301002	Trimming Resist 300Ω (B)
R734	1	1	RA0301002	Trimming Resist 300Ω (B)
R735	1	1	RT0556014	Resistor 56Ω ±5% ¼W
R736	1	1	RT0556014	Resistor 56Ω ±5% ¼W
R737	1	1	GF0539114	Resistor 390Ω ±5% ¼W
R738	1	1	GF0539114	Resistor 390Ω ±5% ¼W
R739	1	1	GF0568114	Resistor 680Ω ±5% ¼W
R740	1	1	GF0568114	Resistor 680Ω ±5% ¼W
R741	1	1	GF0522214	Resistor 2.2KΩ ±5% ¼W
R742	1	1	GF0522214	Resistor 2.2KΩ ±5% ¼W
R743	1	1	GF0533214	Resistor 3.3KΩ ±5% ¼W
R744	1	1	GF0533214	Resistor 3.3KΩ ±5% ¼W
R745	1	1	GF0522214	Resistor 2.2KΩ ±5% ¼W
R746	1	1	GF0522214	Resistor 2.2KΩ ±5% ¼W
R747	1	1	GF0510114	Resistor 100Ω ±5% ¼W
R748	1	1	GF0510114	Resistor 100Ω ±5% ¼W
R749	1	1	GF0510114	Resistor 100Ω ±5% ¼W
R750	1	1	GF0510114	Resistor 100Ω ±5% ¼W
R751	1	1	GF0510014	Resistor 10Ω ±5% ¼W
R752	1	1	GF0510014	Resistor 10Ω ±5% ¼W
R753	1	1	GF0522112	Resistor 220Ω ±5% ½W
R754	1	1	GF0522112	Resistor 220Ω ±5% ½W
R755	1	1	GF0522112	Resistor 220Ω ±5% ½W
R756	1	1	GF0522112	Resistor 220Ω ±5% ½W
R757	1	1	GF0510014	Resistor 10Ω ±5% ¼W
R758	1	1	GF0510014	Resistor 10Ω ±5% ¼W
R759	1	1	GX1022203	Resistor 0.22Ω ±10% 3W
R760	1	1	GX1022203	Resistor 0.22Ω ±10% 3W
R761	1	1	GX1022203	Resistor 0.22Ω ±10% 3W
R762	1	1	GX1022203	Resistor 0.22Ω ±10% 3W
R763	1	1	GJ0510002	Resistor 10Ω ±5% 2W
R764	1	1	GJ0510002	Resistor 10Ω ±5% 2W
R765	1	1	GJ0522014	Resistor 22Ω ±5% ¼W
R766	1	1	GF0510212	Resistor 1KΩ ±5% ½W
R767	1	1	RC1056212	Resistor 5.6KΩ ±10% ½W
R768	1	1	RC1056212	Resistor 5.6KΩ ±10% ½W
R769	1	1	RT0512314	Resistor 12KΩ ±5% ¼W
R770	1	1	RT0515314	Resistor 15KΩ ±5% ¼W
R771	1	1	RT0568214	Resistor 6.8KΩ ±5% ¼W
R772	1	1	GF0533112	Resistor 330Ω ±5% ½W
R773	1	1	RT0518414	Resistor 180KΩ ±5% ¼W
R774	1	1	RT0539314	Resistor 39KΩ ±5% ¼W
R775	1	1	RC1002212	Resistor 2.2Ω ±10% ½W
R776	1	1	RC1002212	Resistor 2.2Ω ±10% ½W
C701	1	1	EE3350251	Electroly Cap 3.3μF 25V 20%
C702	1	1	EE3350251	Electroly Cap 3.3μF 25V 20%
C703	1	1	DD1620101	Ceramic Cap 200PF 50V
C704	1	1	DD1620101	Ceramic Cap 200PF 50V
C705	1	1	EE4760162	Electroly Cap 47μF 16V 20%
C706	1	1	EE4760162	Electroly Cap 47μF 16V ±20%
C707	1	1	DD1003050	Ceramic Cap 3PF 500V
C708	1	1	DD1003050	Ceramic Cap 3PF 500V
C709	1	1	EA4760509	Electroly Cap 47μF 50V ±10%
C710	1	1	EA4760509	Electroly Cap 47μF 50V ±10%
C715	1	1	DK1610150	Ceramic Cap 100PF
C716	1	1	DK1610150	Ceramic Cap 100PF
C717	1	1	DF1710452	Film Cap 0.1μF 200V
C718	1	1	DF1710452	Film Cap 0.1μF 200V
C719	1	1	EA2270509	Electroly Cap 220μF 50V ±10%

REF. DESIG.	U	E	PART NO.	DESCRIPTION
C720	1	1	EA1060359	Electroly Cap 10μF 35V ±10%
C721	1	1	EA4760169	Electroly Cap 47μF 16V ±10%
C722	1	1	EA2270109	Electroly Cap 220μF 10V ±10%
H701	1	1	HT107631B	Transistor 2SA763
H702	1	1	HT107631B	Transistor 2SA763
H703	1	1	HT107631B	Transistor 2SA763
H704	1	1	HT107631B	Transistor 2SA763
H705	1	1	HV0000312	Diode MV-13
H706	1	1	HV0000312	Diode MV-13
H707	1	1	HT308753B	Transistor 2SC875 C D E
H708	1	1	HT308753B	Transistor 2SC875 C D E
H709	1	1	HT309451Q	Transistor 2SC945 Q
H710	1	1	HT309451Q	Transistor 2SC945 Q
H711	1	1	HT107331Q	Transistor 2SA733 Q
H712	1	1	HT107331Q	Transistor 2SA733 Q
H713	1	1	HD2000221	Diode IS 2472 (Gr)
H714	1	1	HD2000221	Diode IS 2472 (Gr)
H715	1	1	HD2000221	Diode IS 2472 (Gr)
H716	1	1	HD2000221	Diode IS 2472 (Gr)
H717	1	1	HD2000221	Diode IS 2472 (Gr)
H718	1	1	HD2000221	Diode IS 2472 (Gr)
H719	1	1	HD2000221	Diode IS 2472 (Gr)
H720	1	1	HD2000221	Diode IS 2472 (Gr)
H721	1	1	HT315671Q	Transistor 2SC 1567 Q.R
H722	1	1	HT315671Q	Transistor 2SC 1567 Q.R
H723	1	1	HT107941Q	Transistor 2SA 794 Q.R
H724	1	1	HT107941Q	Transistor 2SA 794 Q.R
H725	1	1	HD3003009	Diode WZ-177
H726	1	1	HT309452A	Transistor 2SC 945 Q.R
H727	1	1	HT309452A	Transistor 2SC 945 Q.R
H728	1	1	HT313182C	Transistor 2SC 1318 R.S
H729	1	1	HD2000321	Diode IS 2471 (Black)
L701	1	1	LC2262001	Coil 2.6μH
L702	1	1	LC2262001	Coil 2.6μH
L703	1	1	LY2024005	Relay . . . . V.D.C. (Volts D.C.)
J701	27	27	YP1000113	Plug
J727				
H005	1	1	HV0000508	Diode STV-3H
H006	1	1	HV0000508	Diode STV-3H
0706	2	2	291226702	Heat Sink
0709	2	2	51100306S	B H M Screw B 3 x 6
0710	2	2	51100308S	B H M Screw B 3 x 8
0711	2	2	281811806	Spacer
0727	2	2	51100205A	B H M Screw B 2 x 5
0728	2	2	59020604P	Washer
0702	1	1	291226701	Heat Sink
0703	4	4	281810104	Support
0708	2	2	289016003	Bracket
0714	4	4	51380306P	P H Tap Screw P 3 x 6 T
0721	1	1	2912160510	Bracket K For P700
0725	2	2	51380306P	P H Tap Screw P 3 x 6 T
H001	1	1	HT403881M	Transistor 2SC388 M.L.K
H002	1	1	HT403881M	Transistor 2SC388 M.L.K
H003	1	1	HT205411S	Transistor 2SB541 S.R.Q
H004	1	1	HT205411S	Transistor 2SB541 S.R.Q
J017	1	1	YJ0500019	Socket XTR SOCKET
J018	1	1	YJ0500019	Socket XTR SOCKET
J019	1	1	YJ0500019	Socket XTR SOCKET
J020	1	1	YJ0500019	Socket XTR SOCKET

REF. DESIG.	U	E	PART NO.	DESCRIPTION
P800	1	1	YD2912006 ZZ2912006	<b>P800 POWER BOARD</b> P W Board Power Supply P W Board Assembly
R801	1	1	GF0522014	Resistor 22Ω ±5% ¼W
R802	1	1	RT0547214	Resistor 4.7KΩ ±5% ¼W
R803	1	1	RT0547214	Resistor 4.7KΩ ±5% ¼W
R804	1	1	RT0510314	Resistor 10KΩ ±5% ¼W
R805	1	1	RC0000012	Resistor 0Ω
R806	1	1	RT0510314	Resistor 10KΩ ±5% ¼W
R807	1	1	RA0502013	Trimming Resist 5KΩ (B) ¼W
C801	1	1	DK1810351	Ceramic Cap 0.01μF 500V
C802	1	1	DF1710452	Film Cap 0.1μF 200V±20%
C803	1	1	EA2270631	Electroly Cap 220μF 63V
C804	1	1	EA1070509	Electroly Cap 100μF 50V ±10%
C805	1	1	EA1060359	Electroly Cap 10μF 35V ±10%
C806	1	1	EA1070509	Electroly Cap 100μF 50V ±10%
H801	1	1	HD2001103	Diode DS-131B
H802	1	1	HD2001408	Diode SS-3
H803	1	1	HD2001508	Diode SS-3R
H804	1	1	HT315092C	Transistor 2SC1509 R.S
H805	1	1	HD3002309	Diode WZ-071
H806	1	1	HT309452A	Transistor 2SC945 QR
J801 ~ J811	11	11	YP1000114	Plug
PE01	1	1	YD2912003 ZZ2912003	<b>PE01 PRE-TONE BOARD</b> P W Board PRE-TONE AMP P W Board Assembly
RE01	1	1	RT0547414	Resistor 470KΩ ±5% ¼W
RE02	1	1	RT0547414	Resistor 470KΩ ±5% ¼W
RE03	1	1	RT0539114	Resistor 390Ω ±5% ¼W
RE04	1	1	RT0539114	Resistor 390Ω ±5% ¼W
RE05	1	1	RT0510514	Resistor 1MΩ ±5% ¼W
RE06	1	1	RT0510514	Resistor 1MΩ ±5% ¼W
RE07	1	1	RT0510414	Resistor 100KΩ ±5% ¼W
RE08	1	1	RT0510314	Resistor 10KΩ ±5% ¼W
RE09	1	1	RT0527314	Resistor 27KΩ ±5% ¼W
RE10	1	1	RT0527314	Resistor 27KΩ ±5% ¼W
RE11	1	1	RT0510214	Resistor 1KΩ ±5% ¼W
RE12	1	1	RT0510214	Resistor 1KΩ ±5% ¼W
RE13	1	1	RT0568214	Resistor 6.8KΩ ±5% ¼W
RE14	1	1	RT0568214	Resistor 6.8KΩ ±5% ¼W
RE15	1	1	RT0510214	Resistor 1KΩ ±5% ¼W
RE16	1	1	RT0510214	Resistor 1KΩ ±5% ¼W
RE17	1	1	RT0547414	Resistor 470KΩ ±5% ¼W
RE18	1	1	RT0547414	Resistor 470KΩ ±5% ¼W
RE19	1	1	RT0522514	Resistor 2.2MΩ ±5% ¼W
RE20	1	1	RT0522514	Resistor 2.2MΩ ±5% ¼W
RE21	1	1	RT0568314	Resistor 68KΩ ±5% ¼W
RE22	1	1	RT0568314	Resistor 68KΩ ±5% ¼W
RE23	1	1	RT0547314	Resistor 47KΩ ±5% ¼W
RE24	1	1	RT0547314	Resistor 47KΩ ±5% ¼W
RE25	1	1	RT0510314	Resistor 10KΩ ±5% ¼W
RE26	1	1	RT0510314	Resistor 10KΩ ±5% ¼W
RE27	1	1	RT0539114	Resistor 390Ω ±5% ¼W
RE28	1	1	RT0539114	Resistor 390Ω ±5% ¼W
RE29	1	1	RT0547414	Resistor 470KΩ ±5% ¼W
RE30	1	1	RT0547414	Resistor 470KΩ ±5% ¼W
RE31	1	1	RT0582114	Resistor 820Ω ±5% ¼W

REF. DESIG.	U	E	PART NO.	DESCRIPTION
CE01	1	1	DF1722405	Film Cap 0.22μF 50V±20%
CE02	1	1	DF1722405	Film Cap 0.22μF 50V±20%
CE03	1	1	EA1060359	Electroly Cap 10μF 35V ±10%
CE04	1	1	EA1060359	Electroly Cap 10μF 35V ±10%
CE05	1	1	EE4750251	Electroly Cap 47μF 35V±20%
CE06	1	1	EE4750251	Electroly Cap 47μF 35V±20%
CE07	1	1	EE1050501	Electroly Cap 1μF 50V±20%
CE08	1	1	EE1050501	Electroly Cap 1μF 50V±20%
CE09	1	1	EQ1050501	Electroly Cap 1μF 50V±30%
CE10	1	1	EQ1050501	Electroly Cap 1μF 50V±30%
CE11	1	1	EE3350501	Electroly Cap 3.3μF 50V±20%
CE12	1	1	EE3350501	Electroly Cap 3.3μF 50V±20%
CE13	1	1	EA1070359	Electroly Cap 100μF 35V ±10%
HE01	1	1	HT313283A	Transistor 2SC1328 S.T.U
HE02	1	1	HT313283A	Transistor 2SC1328 S.T.U
HE03	1	1	HT107632A	Transistor 2SA763
HE04	1	1	HT107632A	Transistor 2SA763
HE05	1	1	HT313283A	Transistor 2SC1328 S.T.U
HE06	1	1	HT313283A	Transistor 2SC1328 S.T.U
HE07	1	1	HT107632A	Transistor 2SA763
HE08	1	1	HT107632A	Transistor 2SA763
JE01 ~ JE13	13	13	YP1000113	Plug
0202	1	1	291216050	Bracket K, Front Chassis K
0206	1	1	291225901	Bush, Pilot Light
0209	1	1	291210903	Shield, Slider Mounting
0211	6	6	51102605A	B H M Screw B 2.6 x 5
0212	2	2	51100306A	B H M Screw B 3 x 6
0213	4	4	51040305A	F H M Screw F 3 x 5
0214	2	2	291210102	Support, Stand-Off
0215	2	2	51100306A	B H M Screw B 3 x 6
0220	1	1	291210904	Shield, For PF01
0221	3	3	51100306A	B H M Screw B 3 x 6
0226	1	1	282816013	Bracket, Chassis, Left
0227	1	1	282816014	Bracket, Chassis, Right
0228	4	4	51100306A	B H M Screw B 3 x 6
0231	1	1	29121090	Shield
0232	2	2	51100306A	B H M Screw B 3 x 6
0234	1	1	51100306A	B H M Screw B 3 x 6
0235	1	1	53110303A	Hexagon Nut
0219	2	2	51100306A	B H M Screw B 3 x 6
PT01	1	1	YD2912002 ZZ2912002	<b>PT01 SP-LOUDNESS BOARD</b> P W Board SP-LOUDNESS P W Board Assembly
RT01	1	1	RT0510414	Resistor 100KΩ ±5% ¼W
RT02	1	1	RT0510414	Resistor 100KΩ ±5% ¼W
RT03	1	1	RT0515314	Resistor 15KΩ ±5% ¼W
RT04	1	1	RT0515314	Resistor 15KΩ ±5% ¼W
RT05	1	1	GJ0515101	Resistor 150Ω ±5% 1W
RT06	1	1	GJ0515101	Resistor 150Ω ±5% 1W
RT07	1	1	GJ0533102	Resistor 330Ω ±5% 2W
RT08	1	1	GJ0533102	Resistor 330Ω ±5% 2W
CT01	1	1	DD1533101	Ceramic Cap 330PF 50V±10%
CT02	1	1	DD1533101	Ceramic Cap 330PF 50V±10%
CT03	1	1	DF1633305	Film Cap 0.033μF 50V±10%
CT04	1	1	DF1633305	Film Cap 0.033μF 50V±10%
ST01	1	1	SP0203003	Push SW

REF. DESIG.	U	E	PART NO.	DESCRIPTION
JT01 ~ JT08	8	8	YP1000113	Plug
PF01	1	1	YD2912004 ZZ2912004	PF01 TONE, VOLUME BOARD P W Board TONE VOLUME P W Board Assembly
RF01	1	1	RT0527314	Resistor 27K $\Omega$ $\pm$ 5% $\frac{1}{4}$ W
RF02	1	1	RT0527314	Resistor 27K $\Omega$ $\pm$ 5% $\frac{1}{4}$ W
RF03	1	1	RT0527314	Resistor 27K $\Omega$ $\pm$ 5% $\frac{1}{4}$ W
RF04	1	1	RT0527314	Resistor 27K $\Omega$ $\pm$ 5% $\frac{1}{4}$ W
RF05	1	1	RT0527314	Resistor 27K $\Omega$ $\pm$ 5% $\frac{1}{4}$ W
RF06	1	1	RT0527314	Resistor 27K $\Omega$ $\pm$ 5% $\frac{1}{4}$ W
RF07	1	1	RT0568414	Resistor 680K $\Omega$ $\pm$ 5% $\frac{1}{4}$ W
RF08	1	1	RT0568414	Resistor 680K $\Omega$ $\pm$ 5% $\frac{1}{4}$ W
RF09	1	1	RT0510314	Resistor 10K $\Omega$ $\pm$ 5% $\frac{1}{4}$ W
RF10	1	1	RT0510314	Resistor 10K $\Omega$ $\pm$ 5% $\frac{1}{4}$ W
RF11	1	1	RT0510314	Resistor 10K $\Omega$ $\pm$ 5% $\frac{1}{4}$ W
RF12	1	1	RT0510314	Resistor 10K $\Omega$ $\pm$ 5% $\frac{1}{4}$ W
RF13	1	1	RT0527314	Resistor 27K $\Omega$ $\pm$ 5% $\frac{1}{4}$ W
RF14	1	1	RT0527314	Resistor 27K $\Omega$ $\pm$ 5% $\frac{1}{4}$ W
RF15	1	1	RT0510314	Resistor 10K $\Omega$ $\pm$ 5% $\frac{1}{4}$ W
RF16	1	1	RT0510314	Resistor 10K $\Omega$ $\pm$ 5% $\frac{1}{4}$ W
RF17	1	1	RT0568214	Resistor 6.8K $\Omega$ $\pm$ 5% $\frac{1}{4}$ W
RF18	1	1	RT0568214	Resistor 6.8K $\Omega$ $\pm$ 5% $\frac{1}{4}$ W
RF19	1	1	RT0562414	Resistor 620K $\Omega$ $\pm$ 5% $\frac{1}{4}$ W
RF20	1	1	RT0562414	Resistor 620K $\Omega$ $\pm$ 5% $\frac{1}{4}$ W
RF21	1	1	RS0204001	Variable Resist 200K $\Omega$ (B) BASS
RF22	1	1	RS0204001	Variable Resist 200K $\Omega$ (B) MID
RF23	1	1	RS0204001	Variable Resist 200K $\Omega$ (B) TREBLE
CF01	1	1	DF1615305	Film Cap 0.015 $\mu$ F 50V $\pm$ 10%
CF02	1	1	DF1615305	Film Cap 0.015 $\mu$ F 50V $\pm$ 10%
CF03	1	1	DF1615305	Film Cap 0.015 $\mu$ F 50V $\pm$ 10%
CF04	1	1	DF1615305	Film Cap 0.015 $\mu$ F 50V $\pm$ 10%
CF05	1	1	DF1633205	Film Cap 3300PF 50V $\pm$ 10%
CF06	1	1	DF1633205	Film Cap 3300PF 50V $\pm$ 10%
CF07	1	1	DD1650001	Ceramic Cap 50PF 50V $\pm$ 10%
CF08	1	1	DD1650001	Ceramic Cap 50PF 50V $\pm$ 10%
CF09	1	1	DF1612205	Film Cap 1200PF 50V $\pm$ 10%
CF10	1	1	DF1612205	Film Cap 1200PF 50V $\pm$ 10%
CF11	1	1	DF1656205	Film Cap 5600PF 50V $\pm$ 10%
CF12	1	1	DF1656205	Film Cap 5600PF 50V $\pm$ 10%
JF01 ~ JF06	6	6	YP1000113	Plug
R011	1	1	RS0254006	Variable Res 250K $\Omega$ Balance
S004	1	1	SP0201015	Push SWITCH POWER SWITCH
G001	1		BF1040002	Ceramic Cap
C004	1		DF1722380	Film Cap 0.02 $\mu$ F 1000V
0208	1	1	291216011	Bracket POWER SWITCH
0217	2	2	51100306A	B H M Screw B 3 x 6
J005	1	1	YJ0100087	Jack MIC
0207	1	1	291212001	Insulator MIC
J006	1	1	YJ0100065	Jack HEAD PHONE
3636	1	1	291212001	Insulator HEAD PHONE
PH01	1	1	YD2912005 ZZ2912005	PH02 HI, LOW FILTER BOARD P W Board HI, LOW, FILTER P W Board Assembly

REF. DESIG.	U	E	PART NO.	DESCRIPTION
RH01	1	1	RT0510514	Resistor 1M $\Omega$ $\pm$ 5% $\frac{1}{4}$ W
RH02	1	1	RT0510514	Resistor 1M $\Omega$ $\pm$ 5% $\frac{1}{4}$ W
RH03	1	1	RT0522414	Resistor 220K $\Omega$ $\pm$ 5% $\frac{1}{4}$ W
RH04	1	1	RT0522414	Resistor 220K $\Omega$ $\pm$ 5% $\frac{1}{4}$ W
RH05	1	1	RT0510414	Resistor 100K $\Omega$ $\pm$ 5% $\frac{1}{4}$ W
RH06	1	1	RT0510414	Resistor 100K $\Omega$ $\pm$ 5% $\frac{1}{4}$ W
RH07	1	1	RT0547214	Resistor 4.7K $\Omega$ $\pm$ 5% $\frac{1}{4}$ W
RH08	1	1	RT0547214	Resistor 4.7K $\Omega$ $\pm$ 5% $\frac{1}{4}$ W
RH09	1	1	RT0522514	Resistor 2.2M $\Omega$ $\pm$ 5% $\frac{1}{4}$ W
RH10	1	1	RT0522514	Resistor 2.2M $\Omega$ $\pm$ 5% $\frac{1}{4}$ W
CH01	1	1	DF1647305	Film Cap 0.047 $\mu$ F 50V $\pm$ 10%
CH02	1	1	DF1647305	Film Cap 0.047 $\mu$ F 50V $\pm$ 10%
CH03	1	1	DF1668205	Film Cap 0.0068 $\mu$ F 50V $\pm$ 10%
CH04	1	1	DF1668205	Film Cap 0.0068 $\mu$ F 50V $\pm$ 10%
SH01	1	1	SP0202012	Push SWITCH
JH01 ~ JH05	5	5	YP1000114	Plug
S001	1	1	SR0406004	Rotary SW SELECTOR
S002	1	1	SR0203004	Rotary SW TAPE MONITOR
R001	1	1	RT0510214	Resistor 1K $\Omega$ $\pm$ 5% $\frac{1}{4}$ W
R002	1	1	RT0510214	Resistor 1K $\Omega$ $\pm$ 5% $\frac{1}{4}$ W
S003	1	1	SR0205008	Rotary SW MODE
R012	1	1	RM0254028	Variable Res. MASTER VR250K
M001	1	1	IN1008030	Lamp, Pilot Indicator
0233	1	1	121000501	Clamper
0302	1		291216002	Bracket, Rear Panel
0304	1	1	291216004	Bracket, Rear Panel
0311	1	1	291200502	Clamper
0326	8	8	51100308S	B H M Screw B 3 x 4
0327	8	8	53110303A	Hexagon Nut
0328	4	4	51570306B	P H Tapt Screw P 3 x 6 ST
0330	4	4	51100-308S	B H M Screw B 3 x 8
0331	2	2	53110303A	Hexagon Nut
0332	4	4	51100308S	B H M Screw B 3 x 8
0333	4	4	53110303S	Hexagon Nut
0334	2	2	289611801	Spacer, A.C. Outlet
0402	1		145525903	Bush
0403	1	1	282125901	Bush
0404	2		53110303A	Hexagon Nut
0405	2		54050300R	T L Washer OR
0406	2		51060316A	P H M Screw P 3 x 16
0407	2		55060305S	T R Rivet
0408	1		284906702	Cap
0411	1	1	282816003	Bracket, Rear Corner, Left
0412	1	1	282816004	Bracket, Rear Corner, Right
0413	4	4	51100306S	B H M Screw B 3 x 6
0417	1	1	54050400R	T L Washer OR
0419	2	2	51100306S	B H M Screw B 3 x 6
R003	1	1	RT0510414	Resistor 100 $\Omega$ $\pm$ 5% $\frac{1}{4}$ W
R004	1	1	RT0510414	Resistor 100 $\Omega$ $\pm$ 5% $\frac{1}{4}$ W
R005	1	1	RT0539414	Resistor 390K $\Omega$ $\pm$ 5% $\frac{1}{4}$ W
R006	1	1	RT0539414	Resistor 390K $\Omega$ $\pm$ 5% $\frac{1}{4}$ W
R007	1	1	RT0510414	Resistor 100 $\Omega$ $\pm$ 5% $\frac{1}{4}$ W
R008	1	1	RT0510414	Resistor 100 $\Omega$ $\pm$ 5% $\frac{1}{4}$ W
R009	1	1	RT0539414	Resistor 390K $\Omega$ $\pm$ 5% $\frac{1}{4}$ W
R010	1	1	RT0539414	Resistor 390K $\Omega$ $\pm$ 5% $\frac{1}{4}$ W
R013	1	1	GS1010020	Resistor 10 $\Omega$ $\pm$ 10% 20W

REF. DESIG.	U	E	PART NO.	DESCRIPTION
C006	1	1	DK1710301	Ceramic Cap 0.01 $\mu$ F 50V
C007	1	1	DK1710301	Ceramic Cap 0.01 $\mu$ F 50V
W001	1	1	YC0240010	AC Cord
F001	1	1	FS1035001	Fuse 3.5A UL
F002	1	1	FS2035091	Fuse 3.5A UL
J001	1	1	YT0206006	Terminal PHONO TUNER AUX
J002	1	1	YT0204008	Terminal TAPE-1
J003	1	1	YT0204008	Terminal TAPE-2
J004	1	1	YT0204009	Terminal MAIN-IN, PRE-OUT
J007	1	1	YJ1100016	Socket TAPE-1 DIN
J008	1	1	YJ1100016	Socket TAPE-2 DIN
J009	1	1	YT0304006	Terminal SPEAKER
J010	1	1	YT0304006	Terminal SPEAKER
J011	1	1	YJ0400048	Socket AC OUTLET
J012	1	1	YJ0400048	Socket AC OUTLET
J013	1	1	YT0101003	Terminal GROUND
J014	1	1	YJ0800012	Socket FUSE HOLDER
S005	1	1	SS0202038	Slide SWITCH AMBIENCE
0628	1	1	62030039W	Lug
C003	1	1	DK1710301	Ceramic Cap 0.01 $\mu$ F 50V
C005	1	1	DK1710301	Ceramic Cap 0.01 $\mu$ F 50V
0316	1		281816006	Bracket
0317	4		51100312A	B H M Screw B 3 x 12
0322	1		285412001	Insulator
J025	1		YL0106004	Terminal
0618	2	2	138200503	Clamper
F001	1		FS1030090	Fuse 3A
F002	1		FS1010090	Fuse 1A
F003	1		FS1010090	Fuse 1A
F004	1		FS1005090	Fuse 0.5A
J021	1		YJ0800009	Socket
J022	1		YJ0800009	Socket
J023	1		YJ0800009	Socket
J024	1		YJ0800009	Socket
0521	1		282816012	Bracket
0522	4		51100306A	B H M Screw B 3 x 6
0523	4		53110303A	Hexagon Nut
0524	1		282826514	Indicator
0319	1		282126902	Protector
0320	1		288912005	Insulator
0506	1	1	291205350	Cover K, Filters
0509	4	4	291210105	Support, For PE01
0512	2	2	51100306A	B H M Screw B 3 x 9
0624	1	1	138200503	Clamper
0625	1	1	51570305B	P H Tapt Screw P 3 x 5 ST
0626	1	1	54050300R	T L Washer OR
C001	1	1	EC1090501	Electroly Cap 10,000 $\mu$ F 50V
C002	1	1	EC1090501	Electroly Cap 10,000 $\mu$ F 50V
0510	1	1	291200501	Clamper, Filter Holder
0511	2	2	291211801	Spacer, Filter Holder
0229	4	4	51570306B	P H Tapt Screw P 3 x 6 ST
0230	6	6	51100304A	B H M Screw B 3 x 4
0318	2		51100306S	B H M Screw B 3 x 6
0321	2		51100306S	B H M Screw B 3 x 6
0323	4		51100306S	B H M Screw B 3 x 6

REF. DESIG.	U	E	PART NO.	DESCRIPTION
0324	4		53110303A	Hexagon Nut
0414	8	8	51100304A	B H M Screw B 3 x 4
0502	1	1	291210501	Chassis, Main
0513	4	4	51570306B	P H Tapt Screw P 3 x 6 ST
0515	1	1	273025901	Bush, Insulation
0602	4	4	51570306B	P H Tapt Screw P 3 x 6 ST
0603	4	4	51570306B	P H Tapt Screw P 3 x 6 ST
0611	4	4	53110401A	Hexagon Nut
0612	4	4	54020401A	Flat Washer P
0613	4	4	54040402A	Spring Washer
0619	2	2	51570306B	P H Tapt Screw P 3 x 6 ST
0620	1	1	138200503	Clamper
0621	1	1	51570306B	P H Tapt Screw P 3 x 6 ST
0622	1	1	54050300R	T L Washer OR
0629	1	1	51570306B	P H Tapt Screw P 3 x 6 ST
0715	4	4	51570306B	P H Tapt Screw P 3 x 6 ST
0812	4	4	275905701	Leg
0813	4	4	51490410S	B H M Screw F S B 4 x 10 F/S
0931	1	1	28868610	Label Marantz
L001	1		TS1960208	Transformer, Power
L001	1	1	TS1960209	Transformer, Power
0112	4	4	52017039J	Bolt, Front Panel
0116	2	2	282815401	Knob SELECTOR BALANCE
0117	2	2	282815402	Knob MODE TAPE MONITOR
0118	5	5	281815401	Knob HI LOW FILTER
0119	4	4	285015401	Knob LOUDNESS SPEAKER BALANCE
0120	1	1	290415404	Knob BASS TREBLE MID
0802	1	1	282825701	Lid, Top Cover
0803	4	4	257711807	Spacer, For Lid
0804	4	4	51480406S	B H M Screw F B 4 x 6 F
0807	1	1	282825702	Lid, Bottom Cover
0809	8	8	51100406S	B H M Screw B 4 x 6
0901	1		291226501	Indicator Name Plate
0903	1		291226503	Indicator Name Plate
0911	2	2	51100305S	B H M Screw B 3 x 5
0913			282186102	Label Caution
0914	1		951091102	Label UL FACTORY CODE
0915	1		951120101	Label UL
0924	1	1	257886101	Label CAUTION: TO PREVENT
0925	1	1	257886102	Label DO NOT REMOVE
0926	1	1	257886103	Label SEE MARKING
1122	4		952281501	Serial No Card
1124		4	952301512	Serial No Card
1002	1		291285101	Owner Instruction Manual
1004		1	291285122	Instructions Set
1005		1	288685110	Instructions Set
1011	1		291285601	Schematic
1012	1		291285602	Schematic
1020	1	1	281885104	Instructions Packing
1021	1	1	282885108	Instructions Accessories
1022	1	1	288585107	Instructions Misc.
1024	1		281881301	Envelope
1026	1	1	257785401	Guarantee Card
1027	1	1	257785102	Instructions Red Tag
1028	1		257781301	Envelope
1102	1	1	291280101	Packing Case Inner Carton
1103	1	1	291280111	Packing Case Outer Carton
1108	2	2	289180301	Partitioner (Cushion)
1112	1	1	901383033	Polyethylene Bag, Set